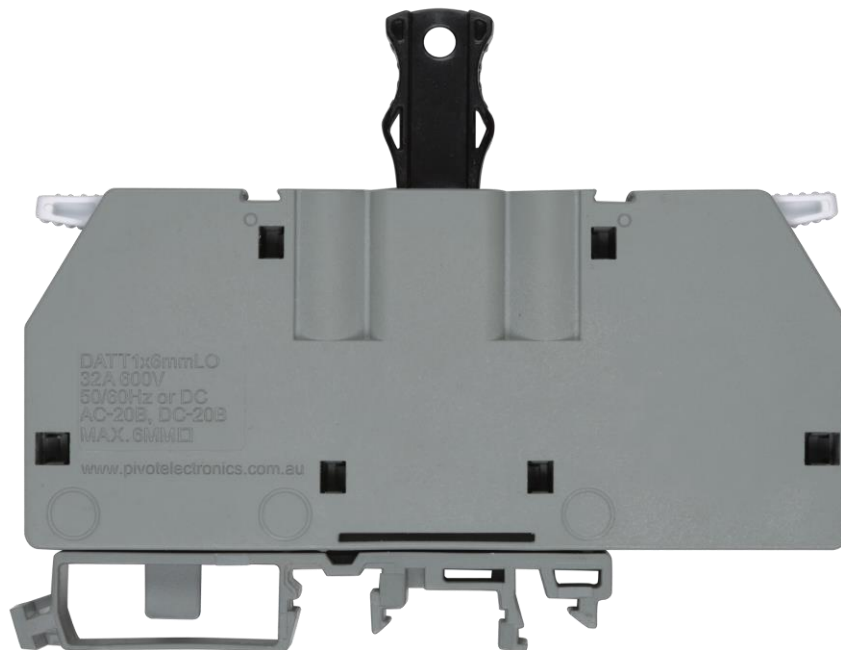


# DATT-002-1

**PIVOT**  
engineered to endure

## Disconnect & Test Terminal

Lever operated, disconnect terminal for isolating and testing of circuits. Designed for harsh environments reducing maintenance and installation times.



### FEATURES

- High reliability
- Time saving
- Secure cage clamp termination
- Rated cross section 0.5mm~6mm<sup>2</sup>
- No tools required

### OPTIONS

- Blue, Orange & Red "lock out link"
- Yellow & Black connect link
- Fuse cartridge 10A, 25x5mm & 32x6mm
- Bus combs 2 to 10 way
- Power jumper
- Terminal marker

### APPROVALS

- Queensland Rail # C0112A
- ARTC # S-08-1307-137
- ASA # SC16/1004
- Kiwi Rail # S-TA-0161

### ORDERING DETAILS

Type: DATT-002-1 w/black link

## Disconnect & Test Terminal Physical & Electrical Specification

MODEL	DATT-002-1
Rating system voltage	600V AC/DC
Continuous operating temperature	-50 °C to 70°C
Rated current (max cross-section)	32A
Short term withstand current (1sec)	380A
Rated cross-section max	6mm <sup>2</sup>
Rated cross-section min	0.5mm <sup>2</sup>
Rated impulse withstand voltage	6kV
Voltage drop at rated current	4.5mV
Insulation resistance	>200M Ohm @500V
End to end resistance	0.25m Ω
Pollution severity	3
Overvoltage category	III
Method of mounting	DIN & G rail
Type of mounting	Snap-on
Open side	None
Material	Nylon 6/6
UL 94 Flammability	V-O
Colour	Medium grey
Clamping range, rated connection, min	0.5mm
Clamping range, rated connection, max	6mm
Stripping length	12mm
Integral test socket	2mm (x2)
Banana test socket	4mm (x2)
Degree of protection	IP20
Standards. Design in accordance with:	IEC60947-1 clauses 8.3.3.1, 8.3.3.2, 8.3.3.5
Approvals	QR #C0112A , ARTC # S-08-1307-137, ASA # SC16/1004, Kiwi Rail # S-TA-0161
Dimensions	12 x 98 x 77 mm (W x L x H) Fitted with disconnect link
Weight	60g
Warranty	5 years, workmanship and materials

## Disconnect & Test Terminal Optional Flatt Fuse Link Holder – Specification



<b>MODEL</b>	<b>DATT-100</b>
Rating	250V AC/DC
Fuse Size	25mm x 5mm
Maximum current rating	10A
Fuse power loss	1.5W
Fuse housing material	Polycarbonate UL94- VO
Fuse drawer material	Nylon 6/6 5% GF V0
Colour	Yellow
Designed in accordance with	IEC 60127-6
Dimensions	12x 41x 108mm (W X L X H)

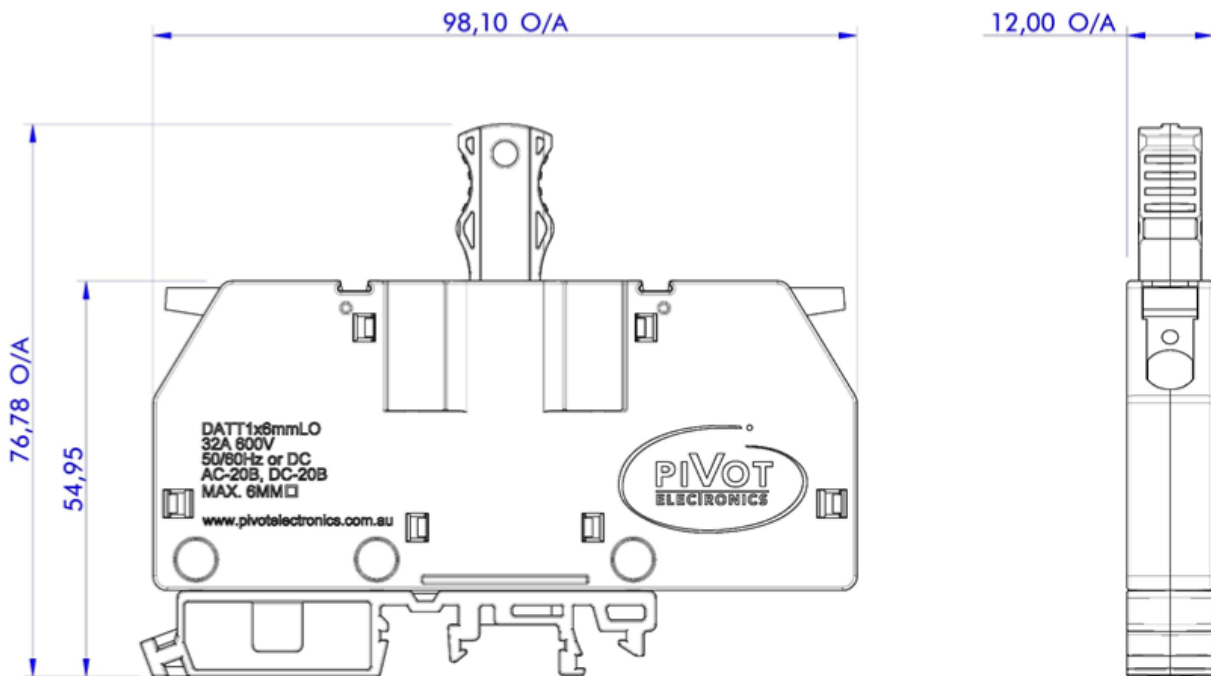


<b>MODEL</b>	<b>DATT-101</b>
Rating	250V AC/DC
Fuse Size	31.86mm x 6.35mm
Maximum current rating	10A
Fuse power loss	1.5W
Fuse housing material	Polycarbonate UL94-VO
Fuse drawer material	Nylon 6/6 5% GF V0
Colour	Blue
Designed in accordance with	IEC 60127-6
Dimensions	12x 41x 108mm (W X L X H)

# DATT-002-1

## Disconnect & Test Terminal

### DIMENSIONAL DRAWING

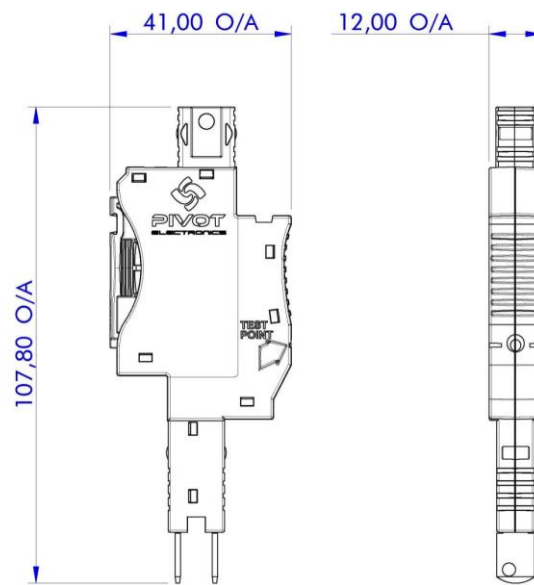


# DATT-002-1

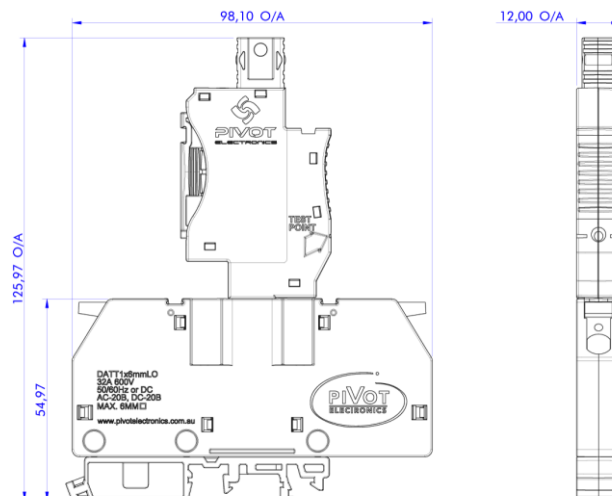
DATT-100 Flatt fuse link holder, 10A, yellow  
DATT-101 Flatt fuse link holder, 10A, blue

## Disconnect & Test Terminal

### DIMENSIONAL DRAWING



### FITTED ASSEMBLY



# DATT-002-1

**DATT-100 Flatt fuse link holder, 10A, yellow**

**DATT-101 Flatt fuse link holder, 10A, blue**

## Disconnect & Test Terminal

### LABEL

