

Surge Reduction Filter- Single Phase 50~100Amp

Single phase surge reduction filter for point-of-entry and sub circuit applications. Physically and electrically compatible with existing equipment, the modular Pivot IVAP includes new features, such as the removeable “Hot Swap” protection cartridge and a status alarm relay. Standard models are available in 50A and 100A versions, covering 120V, 240V and 415V installations.



IVAP50-240 with cover removed

FEATURES

- Hot swap replacement cartridge
- Fast Acting
- Led indicator for condition status
- 3 stage protection (SPD / Filter / SPD)
- Remote monitoring alarm relay
- Low pass LC network filter
- No follow current
- Suits existing footprint

OPTIONS

- Replacement cartridge (specify voltage)
- Other models available on request e.g. 200A

BENEFITS

- Supply shut down is not required to replace cartridge
- Rapid activation to lightning surges and transients
- Visual status for maintenance purpose
- Instantaneous condition alert of compromised filter
- Primary protection of MOV-GDT combination
- No nuisance tripping of fuse and circuit breakers

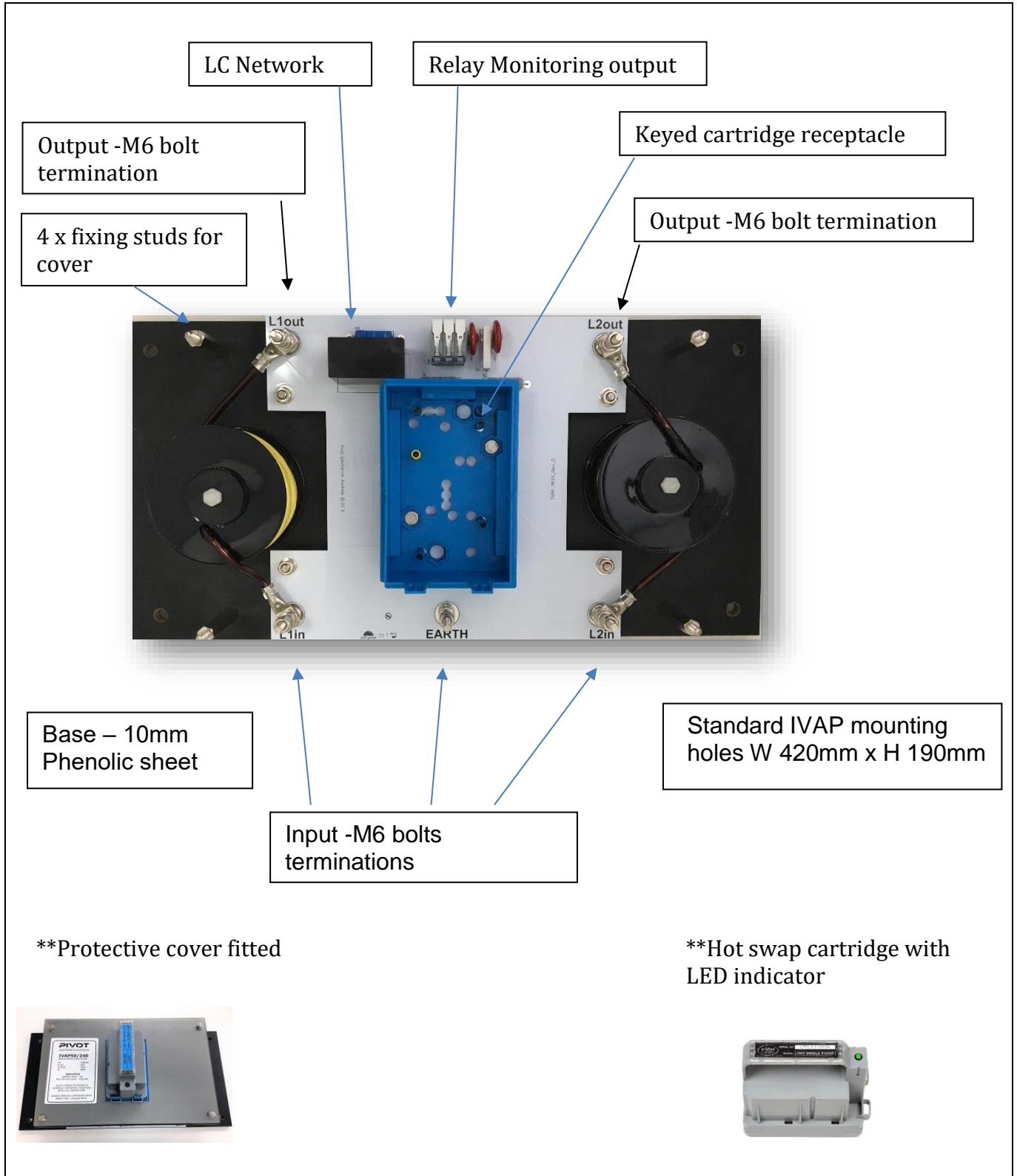
ORDERING DETAILS

- IVAP50-120 – 120V, 50A
- IVAP50-240 – 240V, 50A
- IVAP50-440 – 440V, 50A
- IVAP100-120 – 120V, 100A
- IVAP100-240 – 240V, 100A
- IVAP100-440 – 440V, 100A

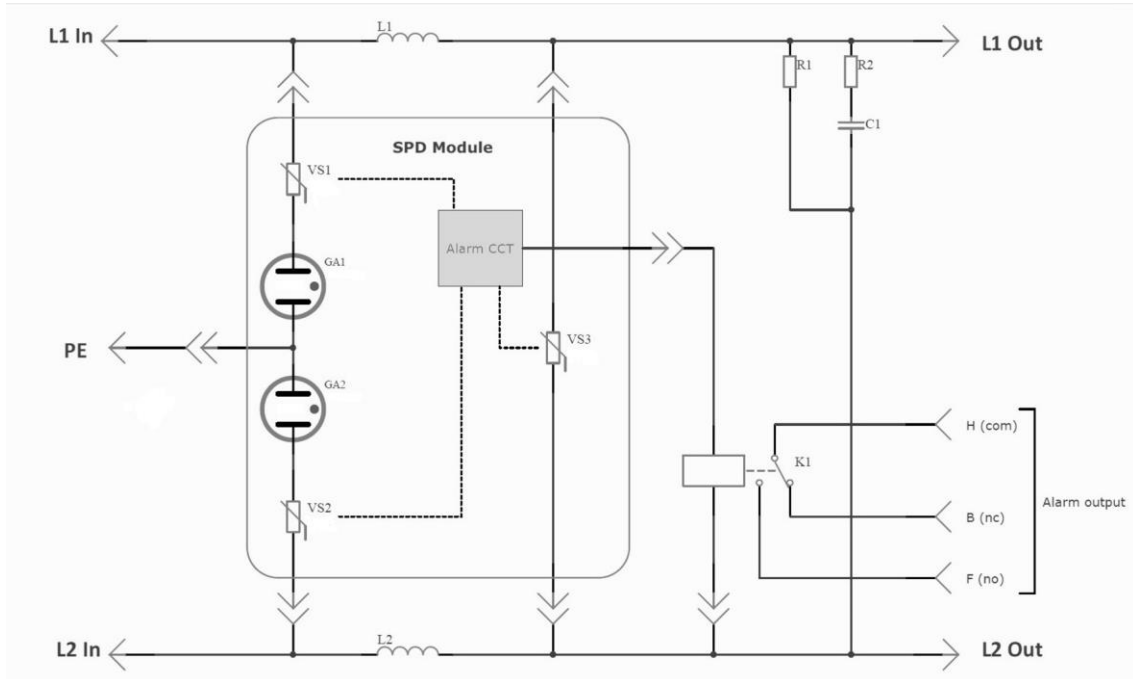
Specifications

MODEL	IVAP50			IVAP100		
Input Voltage-Un	100- 130VAC 50Hz	200- 280VAC 50Hz	380- 440VAC 50Hz	100- 130VAC 50Hz	200- 280VAC 50Hz	380- 440VAC 50Hz
Max. continuous voltage MCOV	130VAC	280VAC	440VAC	150VAC	300VAC	440VAC
Temporary overvoltage TOV	150VAC	320VAC	550VAC	150VAC	320VAC	550VAC
Service type	TT, single or split-phase					
Current rating continuous	50A			100A		
Protection topology	L1-E, L2-E (primary), L1-L2 (secondary)					
Maximum discharge current Is max (primary)	L1-L2 50kA, L1+L2-E 100kA					
Nominal discharge current In (primary)	L1-L2 20kA, L1+L2-E 40kA x15 hits per mode					
Maximum discharge current Is max (secondary)	L1-L2 20kA					
Nominal discharge current In (secondary)	L1-L2 10kA x15 hits					
Recommended maximum over current protection	50A HRC gL/gg			100A HRC gL/gg		
Residual current	<1mA at rated voltage					
Short circuit withstand (1sec)	25kA					
Protection modes	L1-Earth, L2-Earth, L1-L2					
Filter type	LC using secondary damping resistor					
SPD failure protection	Thermal fuse (all MOV elements)					
SPD type	Removeable cartridge					
Residual voltage (Vpl) L-N	<1000V (3kA, 8/20us)					
Internal protection	All surge diverter elements are thermally fused					
Terminations	M6 Nickel-plated brass bolts (x40mm). Supplied with 2 nuts and 2 washers per connection.					
Indicators- internal cartridge	Green – Normal, full protection Red – SPD failure, one or more SPD elements have failed. No indicator – Power failure					
Alarms	Dry contact alarm relay output (normally-operated with power applied and all MOVs at 100% capacity). Contact rating 250Vac/32Vdc, 5A. Alarm contacts protected by MOVs (275V, 20mm)					
Installation instructions	Supplied with unit.					
Standards	Designed in accordance with IEC61643-11 Class II, AS/NZS 1768 Cat C.					
Warranty	5 years, workmanship and materials					

Layout



Schematic



Physical Dimensions

IVAP Dimensions					
All Models	UNIT SIZE (mm)			MOUNTING HOLES (mm)	
	W	H	D	W	H
	460	230	160	420	190
Enclosure material	Base - 10mm phenolic sheet				
	Cover - 3mm polycarbonate				
Terminations	Base - M6 Bolts				
	Relay - 0.5mm ² - 6mm ² wire				
Weight	5kg				