

Surge Reduction Filter- Single Phase 20~100Amp

Single phase surge reduction filter 120/240V AC for point of entry and sub circuit applications. A combination, high performance series filter with remote alarm output monitoring and “Hot swap” sacrificial cartridge.



FEATURES

- Low pass LC network filtering
- Fast Acting
- Hot swap replacement cartridge
- Led indicator for condition status
- 3 stage protection (Mov-Inductor-Mov)
- Remote monitoring alarm
- Wago type terminations

OPTIONS

- Cable entry size 50mm² or 90mm²
- Other models available on request

Replacement cartridge



APPROVALS

- QR # CO130
- ARTC # S-08-1510-PE178

ORDERING DETAILS

Surge Reduction Filters 120V AC

- 1451.SRF-018 5050 20 Amps
- 1451.SRF-019 5050 32 Amps
- 1451.SRF-020 5050 63 Amps
- 1451.SRF-021 5050 100Amps
- 1451.SRF.025 Replacement Cartridge, Yellow

Surge Reduction Filters 240V AC

- 1451.SRF-001 5050 20 Amps
- 1451.SRF-002 5050 32 Amps
- 1451.SRF-003 5050 63 Amps
- 1451.SRF-004 5050 100 Amps
- 1451.SRF.012 Replacement Cartridge, Black

Specification 120V AC

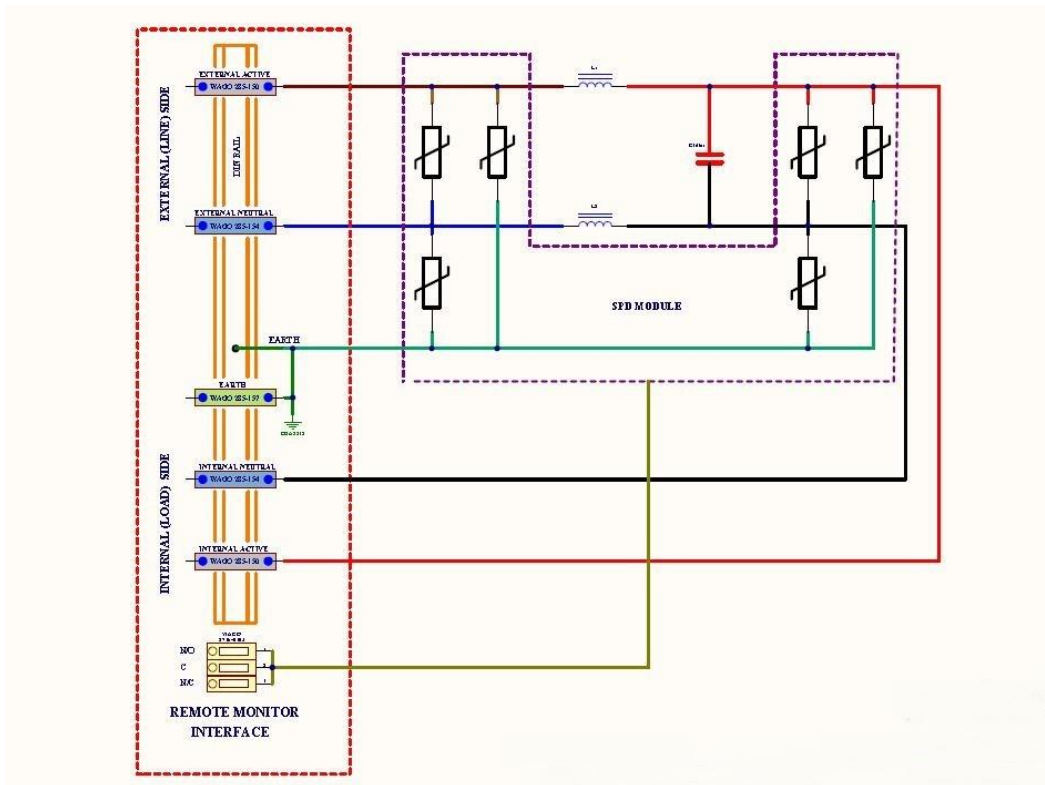
MODEL	1451.SRF-018	1451.SRF-019	1451.SRF-020	1451.SRF-021
Input Voltage-Un	100 – 125 VAC 1Ø			
Max. continuous voltage MCOV	130V AC L-N			
Temporary overvoltage TOV	150V AC L-N, 15mins			
Service type	TN-S, TN C-S, TT			
Nominal discharge current	Class II In L-N 50kA, N-E 50kA			
Current rating continuous	20A	32A	63A	100A
Recommended maximum over current protection	20A HRC gL/gg	32A HRC gL/gg	63A HRC gL/gg	100A HRC gL/gg
Residual current	<10mA			
Short circuit withstand (1sec)	29kA			
Protection modes	Line-Neutral, Neutral-Earth			
In 8/20us (Line-Neutral)	50kA x 15 hits			
In 8/20us (Neutral-Earth)	50kA x 15 hits			
Is max 8/20us (Line-Neutral)	70kA			
Filter attenuation	40db nominal above 1MHz			
Initial clamp voltage (L-N)	200V			
Initial clamp voltage (N-E)	200V			
Residual voltage (Vpl) L-N	500V (3kA, 8/20us)			
Internal protection	All surge diverter elements are thermally fused			
Terminations	Spring-clamp terminals, suitable for 50mm ² cables (95mm ² optional)			
Indicators- internal cartridge	Steady Green – All normal, the load is fully protected Flashing Blue – One Mov bank is out of action, replace the cartridge Burst Flashing Red – Both MOV Banks out of action, Replace cartridge			
Alarms	A dry contact alarm relay output (normally-closed with power applied and all SPDs at 100% capacity). Contact rating 350VDC, 120mA.			
Installation instructions	Supplied with unit.			
Warranty	5 years, workmanship and materials			

Specification 240V AC

MODEL	1451.SRF-001	1451.SRF-002	1451.SRF-003	1451.SRF-004
Input Voltage-Un	220 – 250 VAC 1Ø			
Max. continuous voltage MCOV	285V AC L-N			
Temporary overvoltage TOV	300V AC L-N, 15mins			
Service type	TN-S, TN C-S, TT			
Nominal discharge current	Class II In L-N 50kA, N-E 50kA			
Current rating continuous	20A	32A	63A	100A
Recommended maximum over current protection	20A HRC gL/gg	32A HRC gL/gg	63A HRC gL/gg	100A HRC gL/gg
Residual current	<10mA			
Short circuit withstand (1sec)	29kA			
Protection modes	Line-Neutral, Neutral-Earth			
In 8/20us (Line-Neutral)	50kA x 15 hits			
In 8/20us (Neutral-Earth)	50kA x 15 hits			
Is max 8/20us (Line-Neutral)	70kA			
Filter attenuation	40db nominal above 1MHz			
Initial clamp voltage (L-N)	470V			
Initial clamp voltage (N-E)	470V			
Residual voltage (Vpl) L-N	1000V (3kA, 8/20us)			
Internal protection	Surge diverter elements are internally fused			
Terminations	Spring-clamp terminals, suitable for 50mm ² cables (95mm ² optional)			
Indicators- internal cartridge	Steady Green – All normal, the load is fully protected Flashing Blue – One Mov bank is out of action, replace the cartridge Burst Flashing Red – Both MOV Banks out of action, Replace cartridge			
Alarms	A dry contact alarm relay output (normally-closed with power applied and all SPDs at 100% capacity). Contact rating 350VDC, 120mA.			
Installation instructions	Supplied with unit.			
Warranty	5 years, workmanship and materials			

SRF Single-Phase

Schematic



Physical Dimensions

SRF 1451 DIMENSIONS					
SRF SINGLE PHASE MODELS 20A~100A	ENCLOSURE SIZE (mm)			ENCLOSURE MOUNTING HOLES (mm)	
	W	H	D	W	H
	400	600	210	370	550
Enclosure material	Powder coated steel				
IP Rating	IP55				
Cable Entry	Base mounted gland plate supplied				