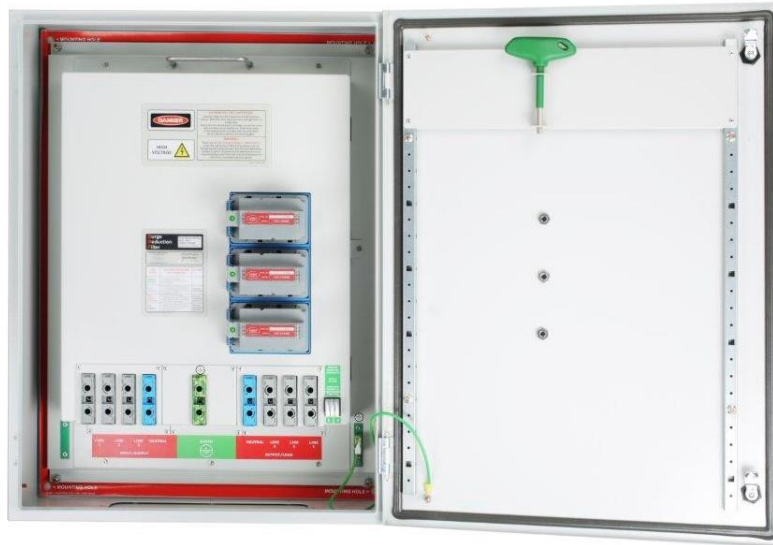


Surge Reduction Filter- Three Phase 63~250Amp

Heavy duty 3 phase filter for point-of-entry protection against the damaging effects of lightning strikes and power surges. With added low pass filtering through the LC network, filtering line harmonics and protecting sensitive equipment



FEATURES

- Low pass LC network filtering
- Fast Acting
- Hot swap replacement cartridge
- Led indicator for condition status
- 3 stage protection (Mov-Inductor-Mov)
- Remote monitoring alarm
- Wago type terminations

OPTIONS

- Cable entry size 50mm² or 90mm²
- Other models available on request
- Replacement cartridge



APPROVALS

- QR # C0130
- ARTC # S-08-1510-PE178

ORDERING DETAILS

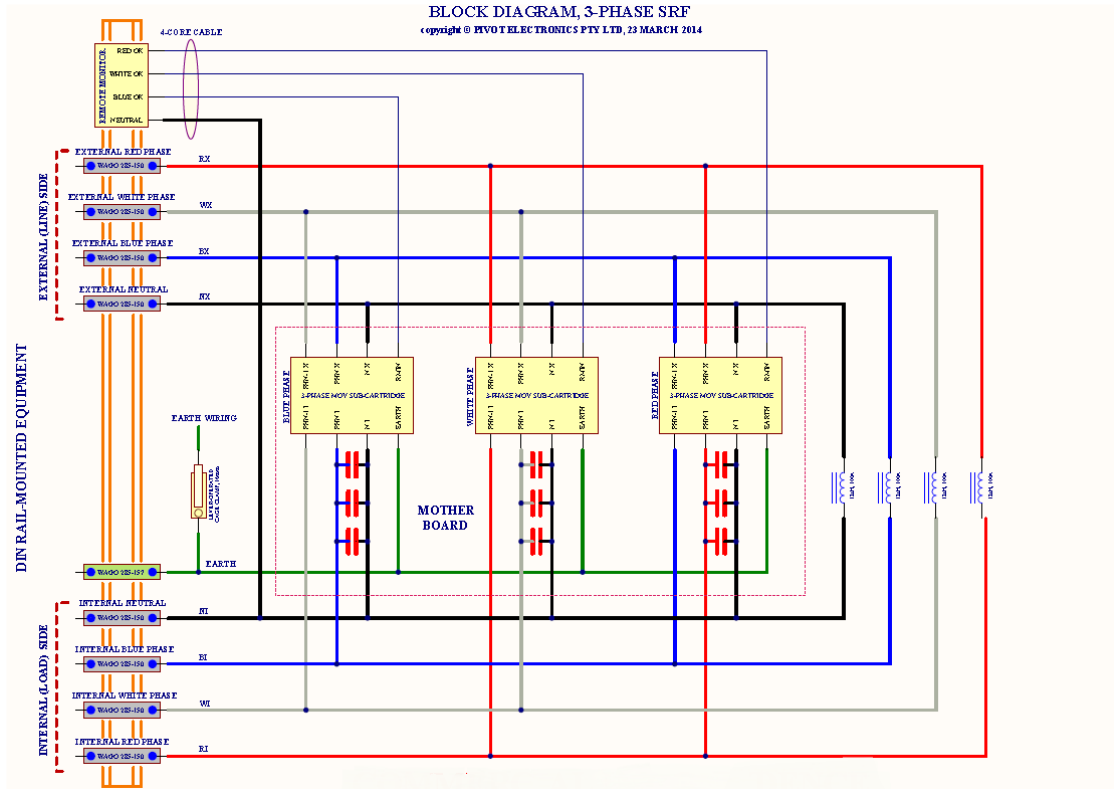
- Surge Reduction Filter 415V AC
- 1451.SRF-008 5050 63 Amps
- 1451.SRF-009 5050 100 Amps
- 1451.SRF-010 9595 160 Amps
- 1451.SRF-014 9595 250 Amps
- 1451.SRF.013 Replacement Cartridge, Red

Specification 240/415V AC

MODEL	1451.SRF-008	1451.SRF-009	1451.SRF-010	1451.SRF-014
Input Voltage-Un	380 - 440VAC 3Ø			
Max. continuous voltage MCOV	285V AC L-N			
Temporary overvoltage TOV	300V AC L-N, 15mins			
Service type	TN-S, TN C-S, TT			
Nominal discharge current	Class II In L-N 50kA, N-E 50kA			
Current rating continuous	63A	100A	160A	250A
Recommended maximum over current protection	63A HRC gL/gg	100A HRC gL/gg	160A HRC gL/gg	250A HRC gL/gg
Residual current	<10mA			
Short circuit withstand (1sec)	29kA			
Protection modes	Line-Neutral, Neutral-Earth			
In 8/20us (Line-Neutral)	50kA x 15 hits			
In 8/20us (Neutral-Earth)	50kA x 15 hits			
Is max 8/20us (Line-Neutral)	80kA			
Filter attenuation	40db nominal above 1MHz			
Initial clamp voltage (L-N)	470V			
Initial clamp voltage (N-E)	470V			
Residual voltage (Vpl) L-N	1000V (3kA, 8/20us)			
Internal protection	Surge diverter elements are internally fused			
Terminations	Spring-clamp terminals, suitable for 50mm ² cables (95mm ² optional)			
Indicators- internal cartridge	Steady Green – All normal, the load is fully protected Flashing Blue – One Mov bank is out of action, replace the cartridge Burst Flashing Red – Both MOV Banks out of action, Replace cartridge			
Alarms	A dry contact alarm relay output (normally-closed with power applied and all SPDs at 100% capacity). Contact rating 350VDC, 120mA.			
Installation instructions	Supplied with unit.			
Warranty	5 years, workmanship and materials			

SRF 3-Phase

Schematic



Note: Schematic shown is for TT systems. Neutral Inductor not used on TN systems

Physical Dimensions

SRF 1451 DIMENSIONS					
SRF THREE PHASE MODELS 63A~250A	ENCLOSURE SIZE (mm)			ENCLOSURE MOUNTING HOLES (mm)	
	W	H	D	W	H
	600	800	210	570	750
Enclosure material	Powder coated steel				
IP Rating	IP55				
Cable Entry	Base mounted gland plate supplied				